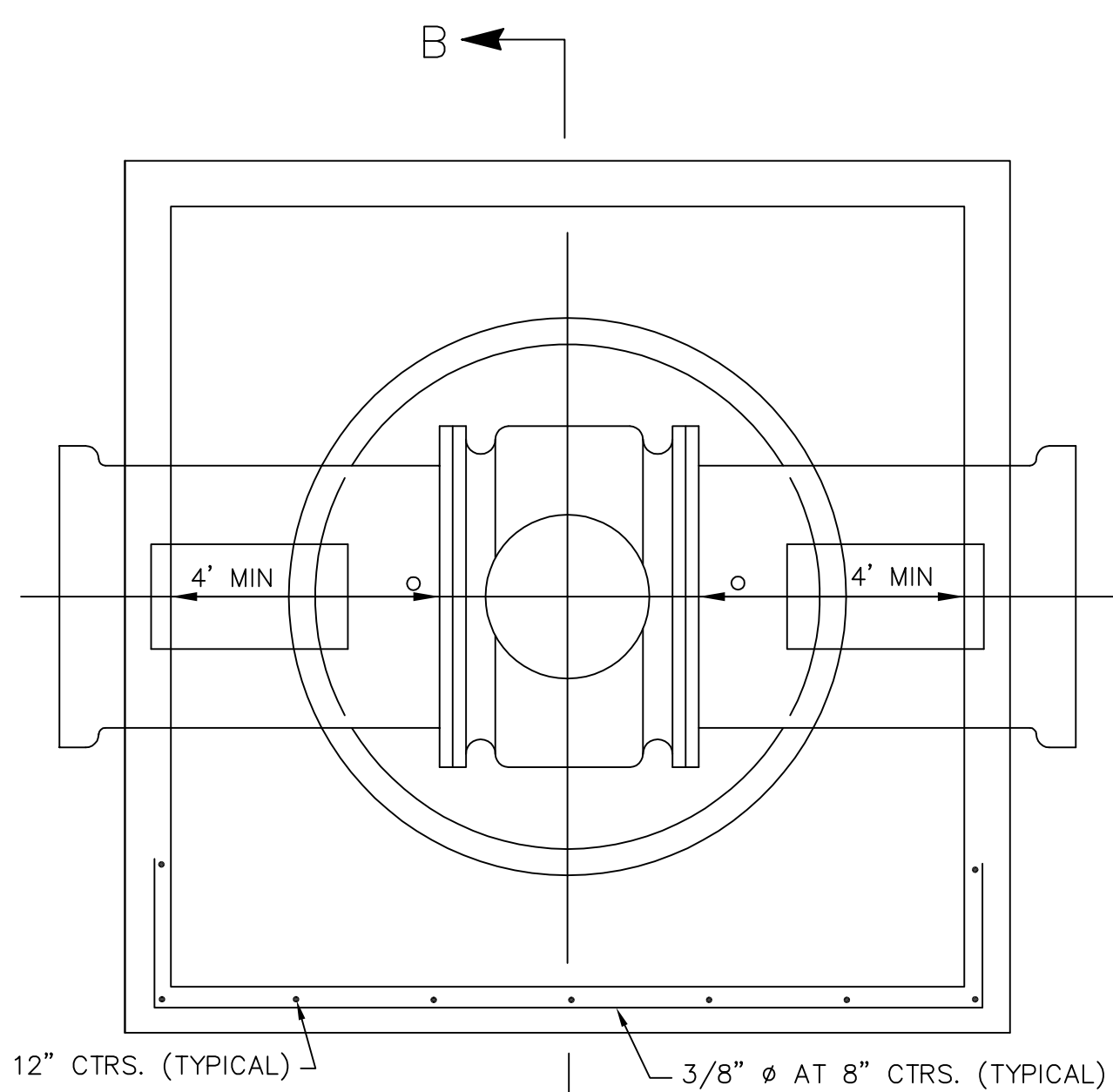


SECTION B-B

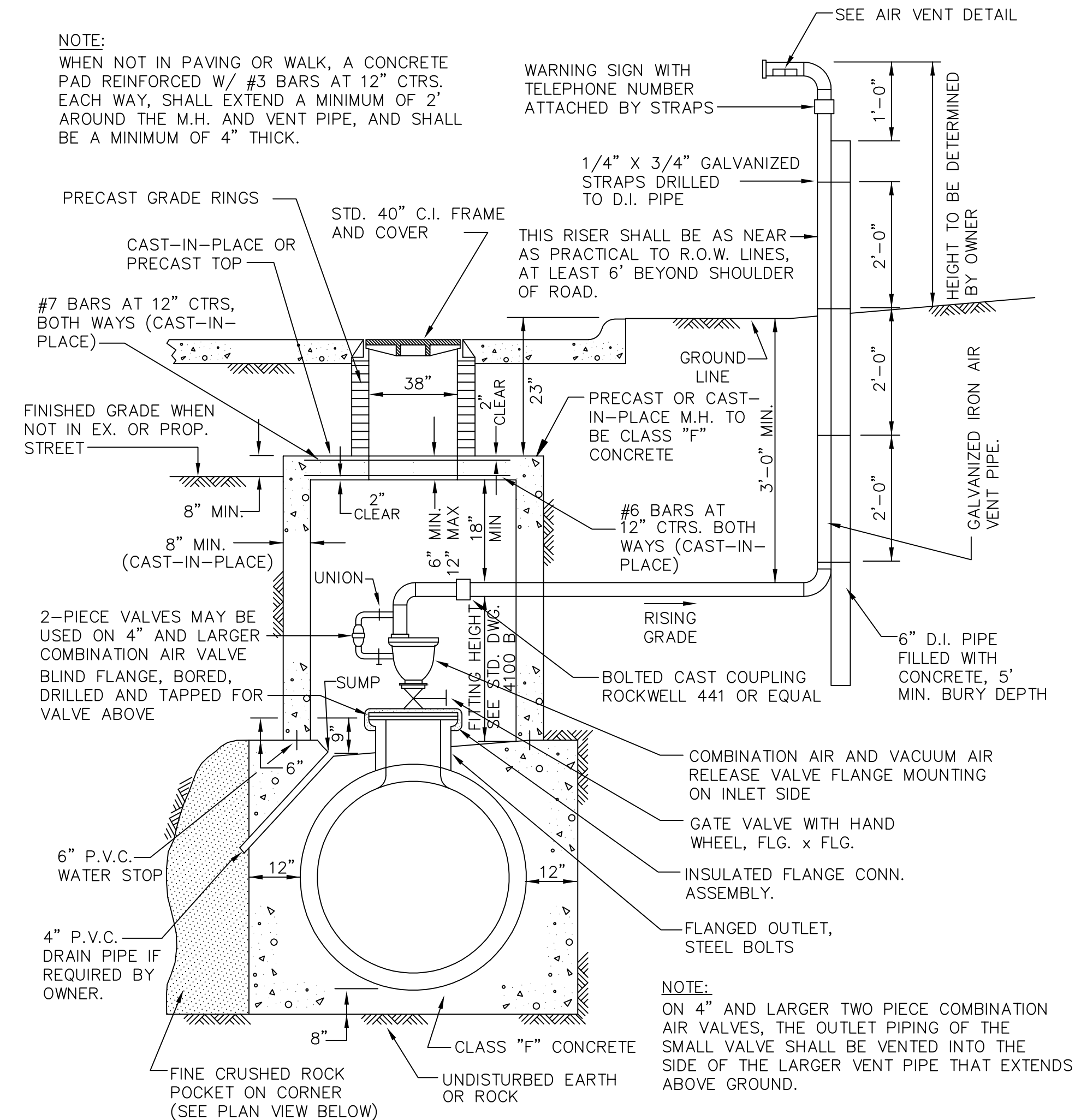
NOTE: HORIZONTAL VALVES MUST BE INSTALLED IN CONCRETE VAULTS. DESIGN MUST BE SUBMITTED FOR APPROVAL.



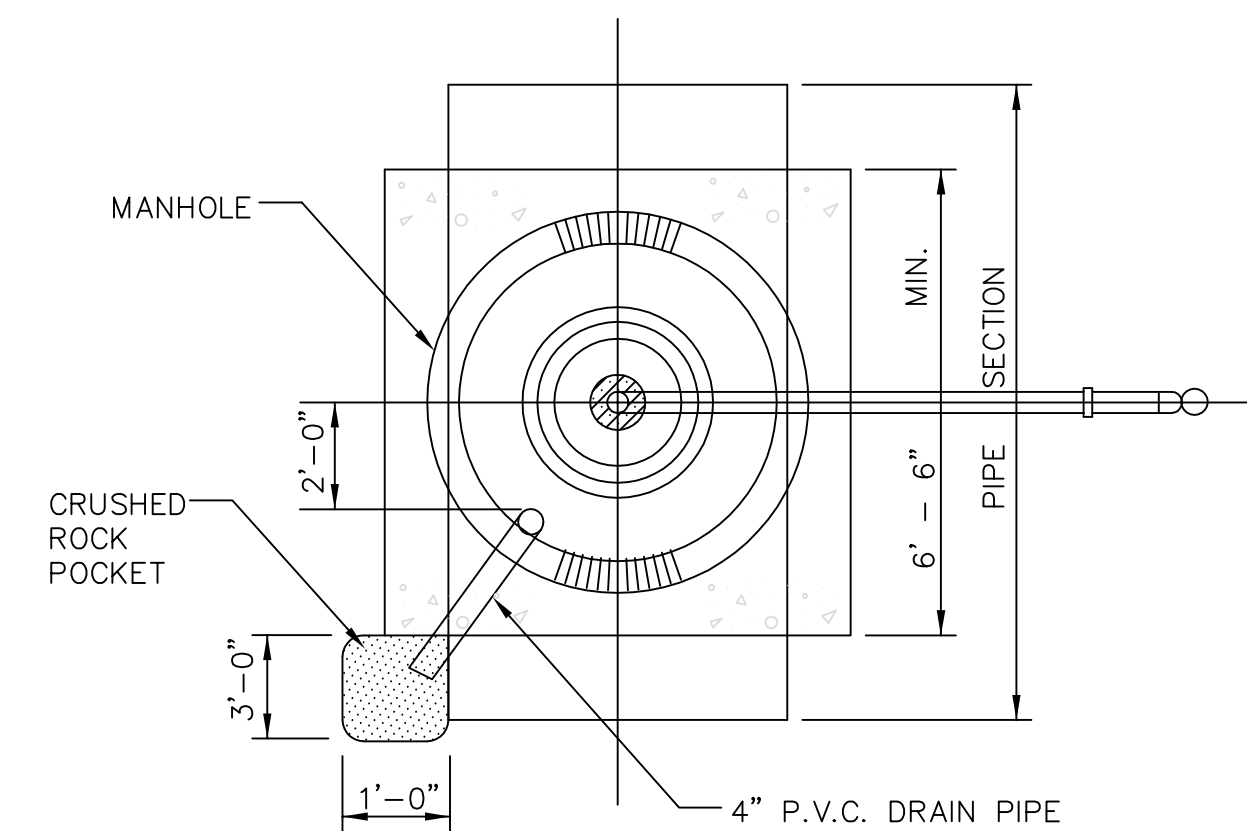
PLAN

NOTE: HORIZONTAL VALVES MUST BE INSTALLED IN CONCRETE VAULTS. DESIGN MUST BE SUBMITTED FOR APPROVAL.

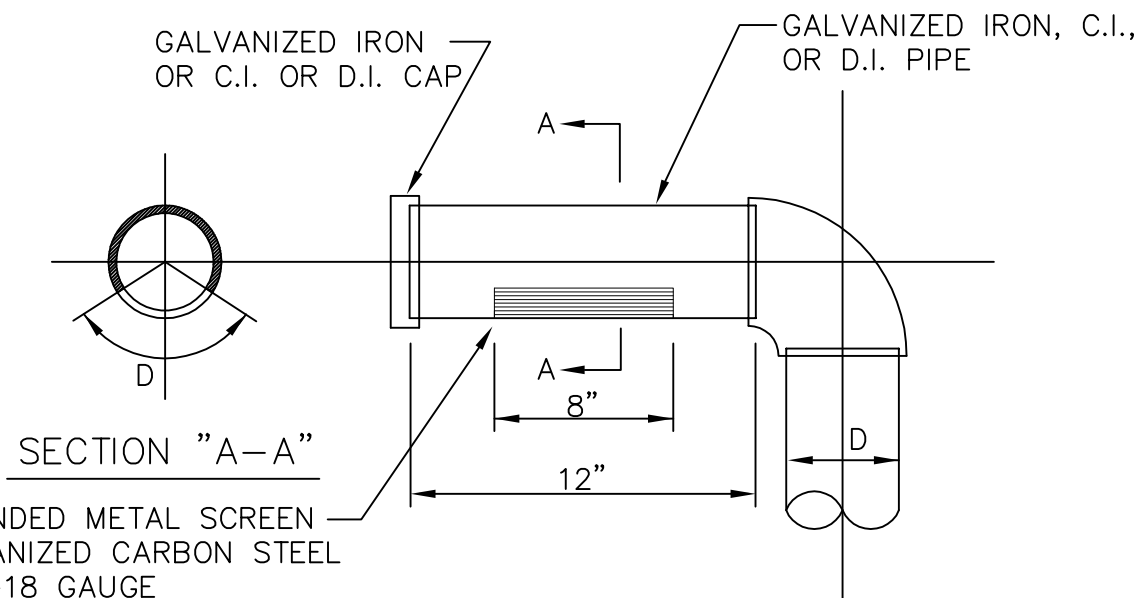
VERTICAL VALVE INSTALLATION FOR 18", 20" & 24"



AIR RELEASE VALVE



PLAN VIEW

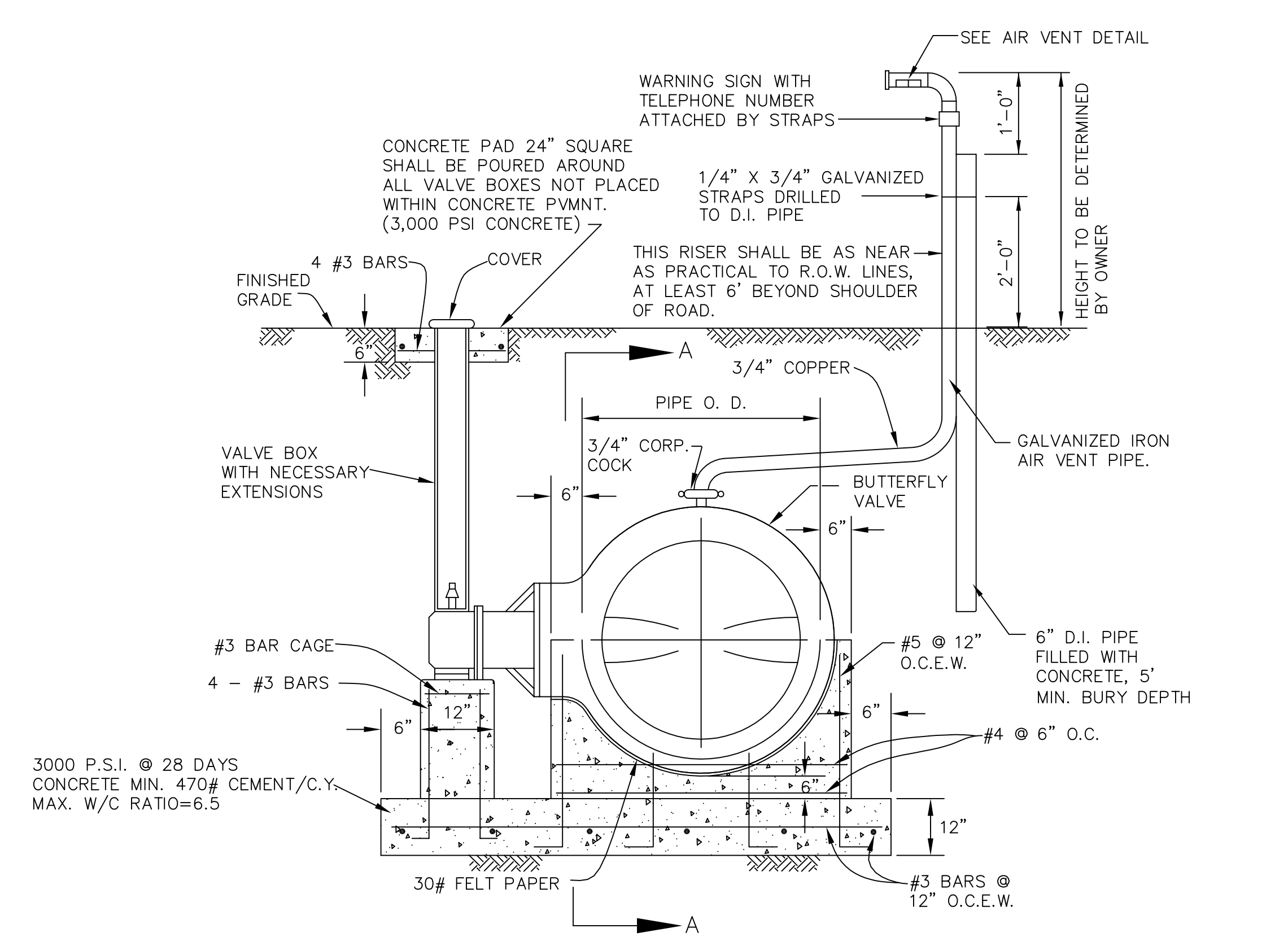


AIR VENT

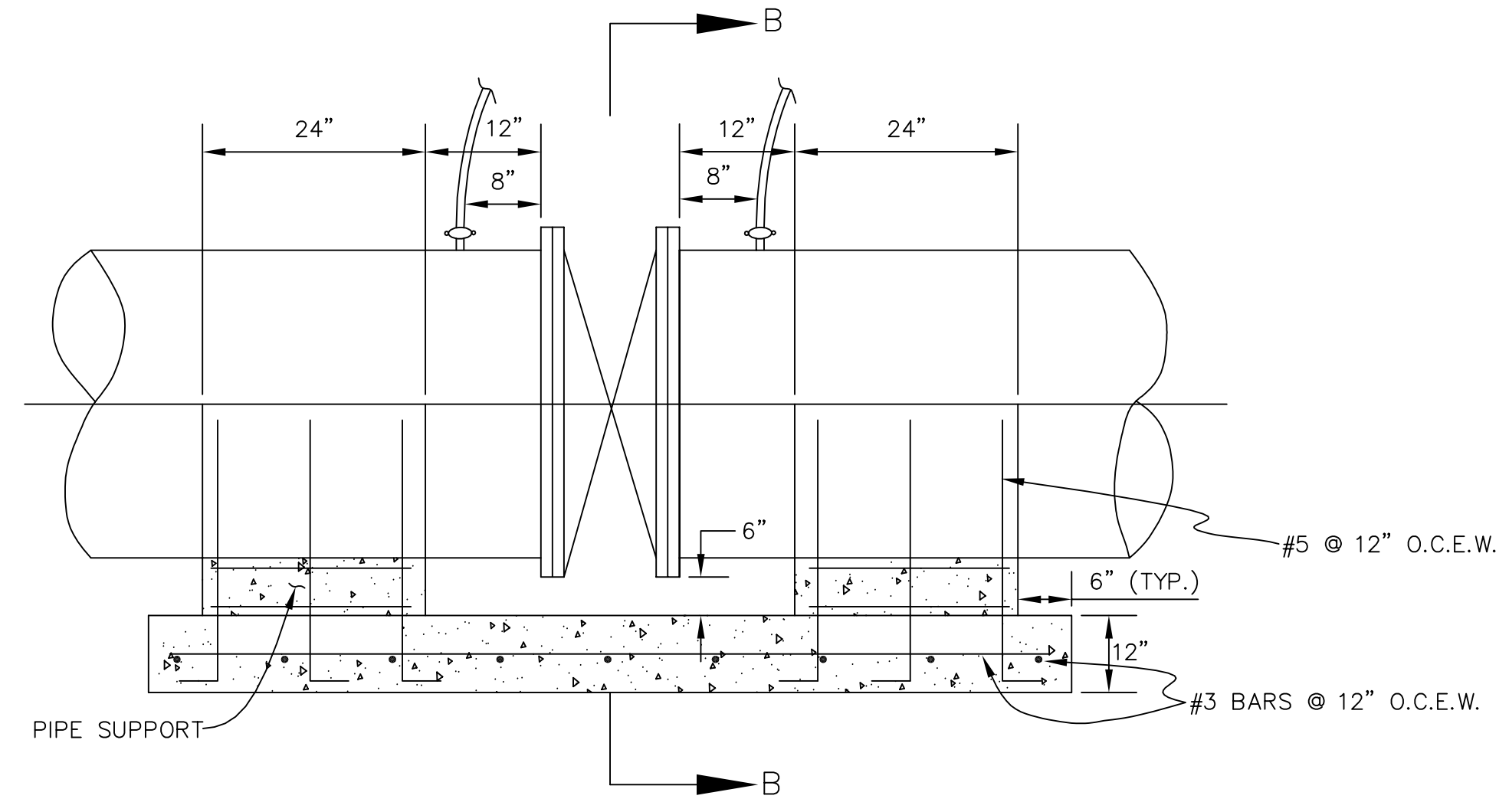
TYPICAL AIR AND VACUUM-AIR RELEASE

VALVE INSTALLATION

AIR VALVE	GATE VALVE	FLG. OUTLET	MIN. FITTING HEIGHT	VENT PIPE D	M.H. DIA.
2"	2"	8"	26"	2"	5'
3"	3"	18"	31"	3"	5'
4"	4"	18"	38"	4"	5'
6"	6"	18"	46"	6"	5'
8"	8"	18"	53"	8"	6'
10"	10"	20"	62"	10"	6'
12"	12"	24"	72"	12"	6'



SECTION B-B



SECTION A-A

BUTTERFLY VALVE DETAIL

NO.	REVISION	BY	DATE

CERTIFICATION: CITY OF DESOTO STANDARD CONSTRUCTION DETAIL SHEET IS AUTHORIZED FOR USE IN THIS PROJECT BY THE ENGINEER WHOSE SEAL APPEARS ON THIS SHEET. THIS ENGINEER IS ALSO CERTIFYING THAT THE DETAIL AND NOTES ON THIS SHEET HAVE NOT BEEN ALTERED FROM THAT RECEIVED FROM THE CITY OF DESOTO.

STANDARD CONSTRUCTION DETAILS

CITY OF DESOTO, TEXAS
DEVELOPMENT SERVICES
ENGINEERING DEPARTMENT

WATER

ENGINEERING SEAL