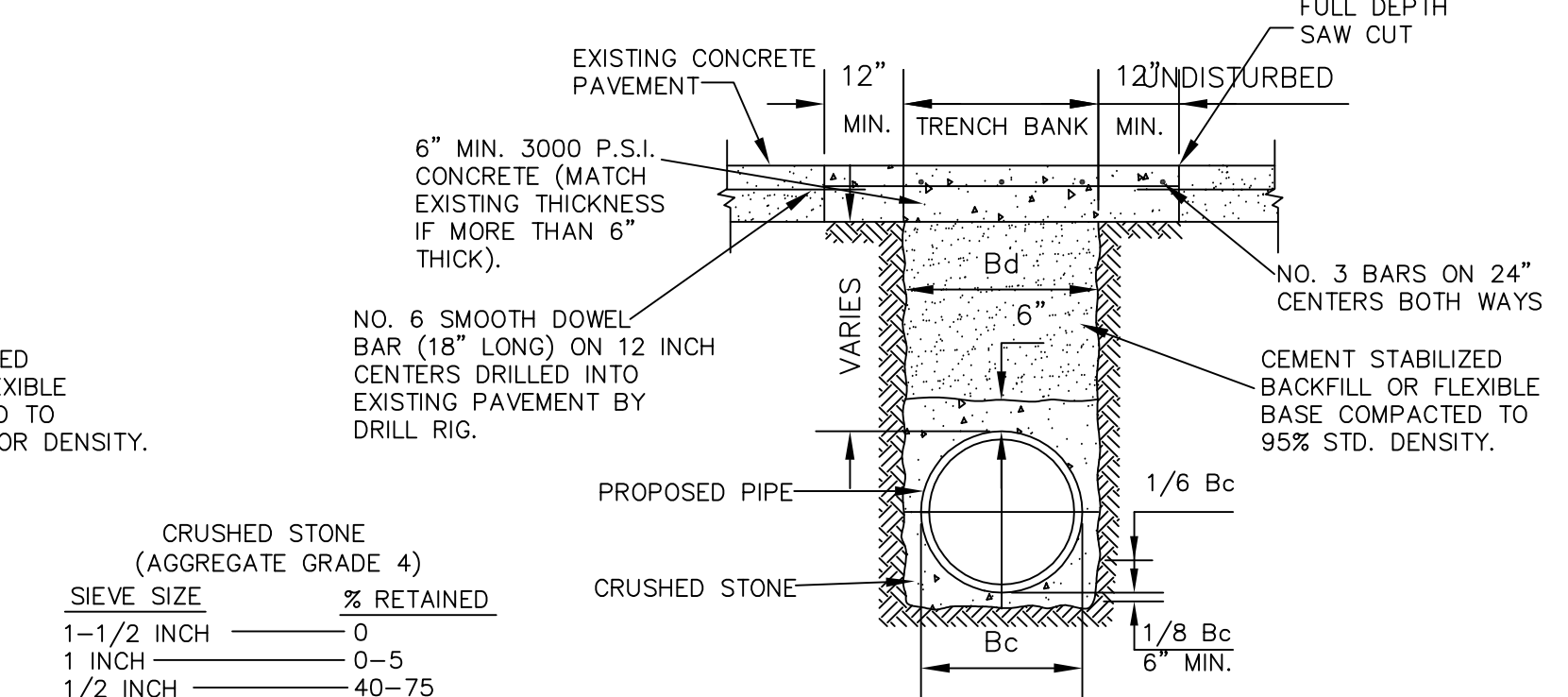
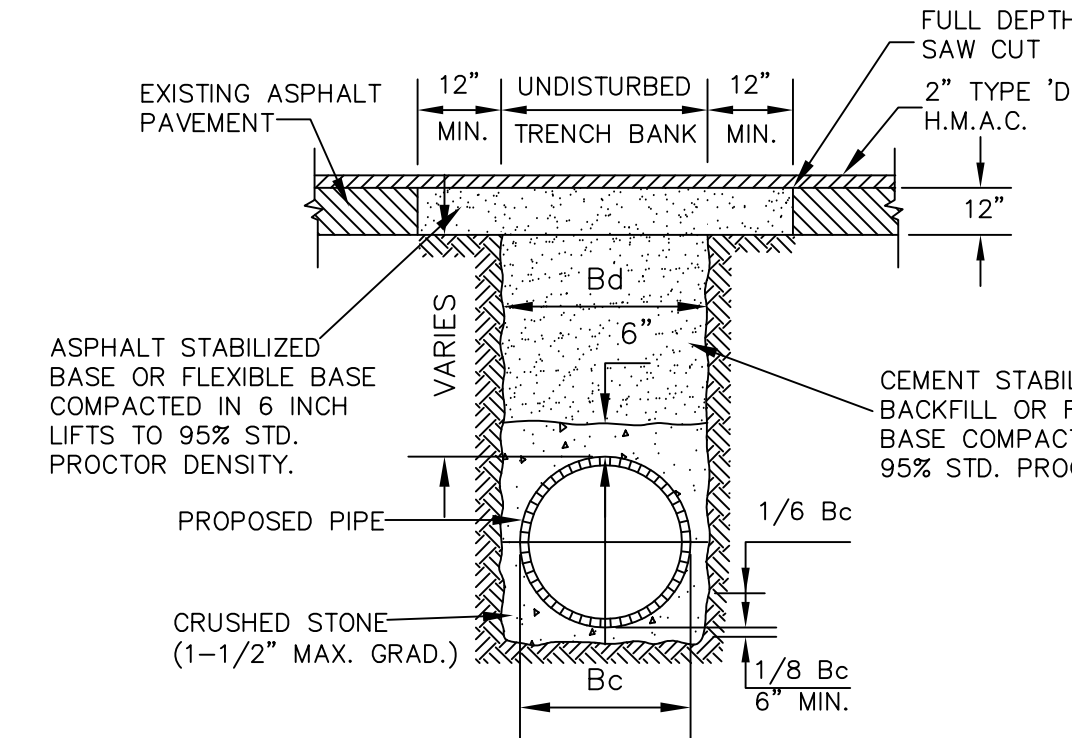


CLASS	USE(S)
A-1	UTIL. & CREEK CROSSINGS FOR STORM DRAIN PIPE OVER 6' DEPTH.
B-1	WATER & SEWER BACK OF EXIST. OR PROPOSED CURB.
B+	STORM DRAIN PIPE/CULVERT BACK OF EXIST. OR PROP. CURB.
G	WATER, SEWER, & STORM DRAIN CREEK/UTIL. CROSSINGS ≤ 6' DEPTH.
H	WATER & SEWER PIPE UNDER PROPOSED PAVEMENT.

STREET REPAIRS

- NOTES:
- CEMENT STABILIZED BACKFILL SHALL CONSIST OF A MIXTURE OF CLEAN SAND AND TWO (2) SACKS OF CEMENT PER CUBIC YARD OF SAND. ALL MATERIALS SHALL BE MIXED IN A CONCRETE MIXER OR TRANSIT MIXER. THE STABILIZED BACKFILL SHALL BE COMPACTED IN A MOIST CONDITION.
 - FLEXIBLE BASE SHALL CONFORM TO THE REQUIREMENTS SET FORTH IN TxDOT ITEM 248, "FLEXIBLE BASE", AND SHALL BE A TYPE A, GRADE 1 MATERIAL.
 - ASPHALT STABILIZED BASE SHALL CONFORM TO THE REQUIREMENTS SET FORTH IN TxDOT ITEM 292, "ASPHALT STABILIZED BASE", GRADE 2.
 - TRENCH SAFETY PROVISIONS SHALL APPLY ON ALL TRENCHES AND EXCAVATIONS.
 - BARRICADE AND TRAFFIC CONTROL PLANS SHALL BE REQUIRED AND SHALL HAVE THE APPROVAL OF THE CITY ENGINEER.



SIEVE SIZE	% RETAINED
1-1/2 INCH	0
1 INCH	0-5
1/2 INCH	40-75
NO. 4	90-100
NO. 8	95-100

EMBEDMENT DETAIL UNDER EXISTING ASPHALT PAVEMENT STREET REPAIR

EMBEDMENT DETAIL UNDER EXISTING CONCRETE PAVEMENT STREET REPAIR

TABLE OF QUANTITIES PER 100 LINEAR FEET REINFORCED CONCRETE PIPE RCP

SIZE OF PIPE IN INCHES	O. D. OF PIPE IN INCHES	TRENCH WIDTH IN INCHES	TRENCH WIDTH IN FEET	CLASS A-1 EMBEDMENT CRUSHED STONE	CLASS A-1 EMBEDMENT CONCRETE CAP	CLASS B+ EMBEDMENT CRUSHED STONE	CLASS "G" EMBEDMENT CONCRETE
12	16.00	32	2.67	7.29	7.29	6.47	9.64
15	19.50	36	3.00	9.70	9.70	7.96	12.39
18	23.00	39	3.25	11.96	11.96	9.20	15.43
21	26.50	43	3.58	14.89	14.89	11.22	18.76
24	30.00	46	3.83	17.53	17.53	13.09	22.38
27	33.50	51	4.25	21.62	21.62	16.13	26.30
30	37.00	57	4.75	26.86	26.86	20.07	30.50
33	40.50	62	5.17	31.87	31.87	23.80	35.01
36	44.00	67	5.58	37.31	37.31	27.84	39.80
39	47.50	72	6.00	43.18	43.18	32.19	44.89
42	51.00	75	6.25	47.51	47.51	35.22	50.27
45	54.50	79	6.58	53.05	53.05	39.21	55.94

TABLE OF QUANTITIES PER 100 LINEAR FEET - PVC PIPE PVC

SIZE OF PIPE IN INCHES	O. D. OF PIPE IN INCHES	TRENCH WIDTH IN INCHES	TRENCH WIDTH IN FEET	CLASS B-1 EMBEDMENT CRUSHED STONE	CLASS "G" EMBEDMENT CONCRETE	CLASS "H" EMBEDMENT CRUSHED STONE
6	6.28	24	2.0	4.12	4.45	8.64
8	8.40	24	2.0	4.59	5.49	9.32
10	10.50	26	2.17	5.48	6.57	10.81
12	12.50	28	2.33	6.37	7.65	12.33
15	15.30	31	2.58	7.74	9.23	14.65
18	18.70	40	3.33	11.83	11.74	21.43

GENERAL NOTES

- TYPE OF EMBEDMENT OR ENCASMENT SHALL BE SHOWN IN THE PROFILES FOR ALL LINES. LOAD CALCULATIONS SHALL BE SUBMITTED TO THE CITY ENGINEER.
- NO WATER JETTING OR FLOODING ALLOWED UNDER PAVEMENTS. NO WATER JETTING OR FLOODING ALLOWED IN CLAY MATERIALS. JETTING PROCEDURE SHALL BE APPROVED BY THE CITY ENGINEER.
- ALL EMBEDMENT MATERIALS SHALL BE COMPACTED TO 90% STANDARD PROCTOR DENSITY EXCEPT UNDER FUTURE PAVING. UNDER FUTURE PAVING, EMBEDMENT MATERIALS SHALL BE COMPACTED TO 95% STANDARD PROCTOR DENSITY AND AS SHOWN ON ABOVE PAVEMENT REPLACEMENT DETAILS FOR EXISTING CONCRETE AND ASPHALT PAVEMENT.
- CLASS B CONCRETE MIN. 376#; WATER CEMENT RATIO 8; 28-DAY MINIMUM STRENGTH, 2,000 PSI.
- CRUSHED STONE GRADATION (AGGREGATE GRADE 4)

SIEVE SIZE	% RETAINED
1-1/2 INCH	0
1 INCH	0-5
1/2 INCH	40-75
NO. 4	90-100
NO. 8	95-100
- GRANULAR MATERIAL SHALL BE FREE FLOWING SUCH AS SAND OR HYDRAULICALLY GRADED CRUSHED STONE FINES, OR MIXED SAND & GRAVEL OR SANDY LOAM. THE MATERIAL SHALL BE FREE OF CLAY AND ORGANIC MATTER AND SHALL NOT CONTAIN LUMPS OR STONES OVER 2 INCHES IN DIAMETER.
- SELECT MATERIAL SHALL BE GRAVEL, FINE ROCK CUTTINGS, SAND, SANDY LOAM, AND MATERIALS FREE OF CLAY AND ORGANIC MATTER. ROCK CUTTINGS SHALL HAVE NO DIMENSION OVER 2 INCHES.

FUTURE DETAIL SPACE

NO.	REVISION	BY
-----	----------	----

CERTIFICATION: CITY OF DESOTO STANDARD CONSTRUCTION DETAIL SHEET IS AUTHORIZED FOR USE IN THIS PROJECT BY THE ENGINEER WHOSE SEAL APPEARS ON THIS SHEET. THIS ENGINEER IS ALSO CERTIFYING THAT THE DETAIL AND NOTES ON THIS SHEET HAVE NOT BEEN ALTERED FROM THAT RECEIVED FROM THE CITY OF DESOTO.

STANDARD CONSTRUCTION DETAILS

CITY OF DESOTO, TEXAS
DEVELOPMENT SERVICES
ENGINEERING DEPARTMENT

EMBEDMENT

ENGINEERING SEAL