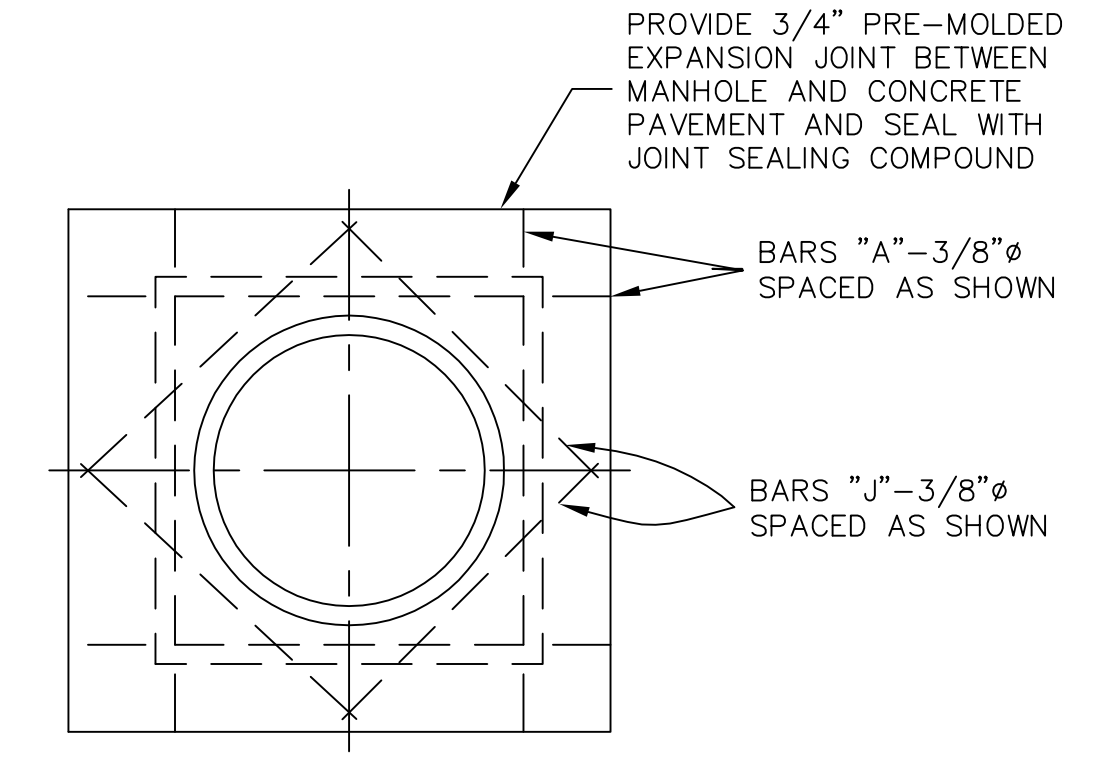


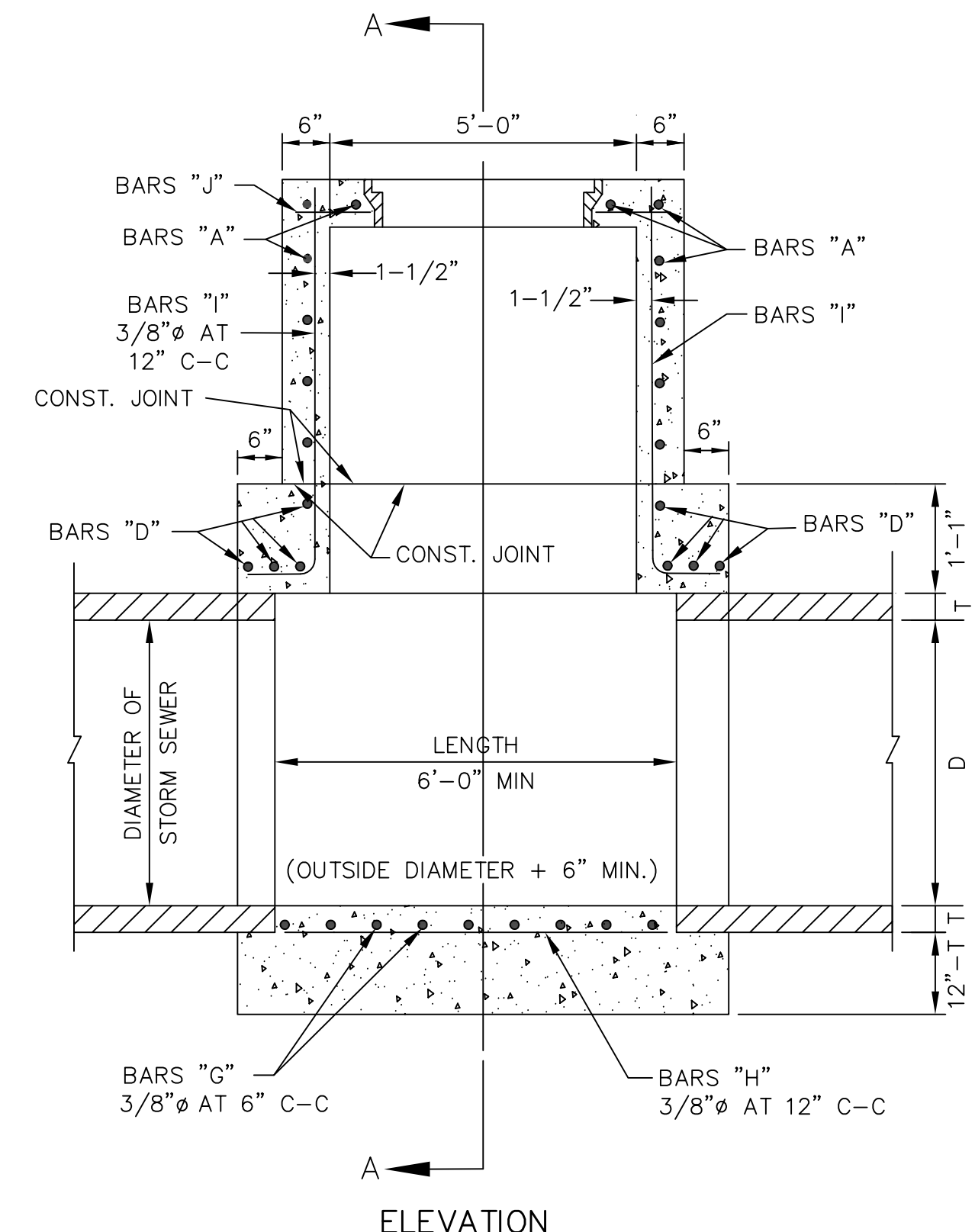
TYPE A STORM DRAINAGE MANHOLE
(FOR PIPE 18" TO 30" IN DIAMETER)



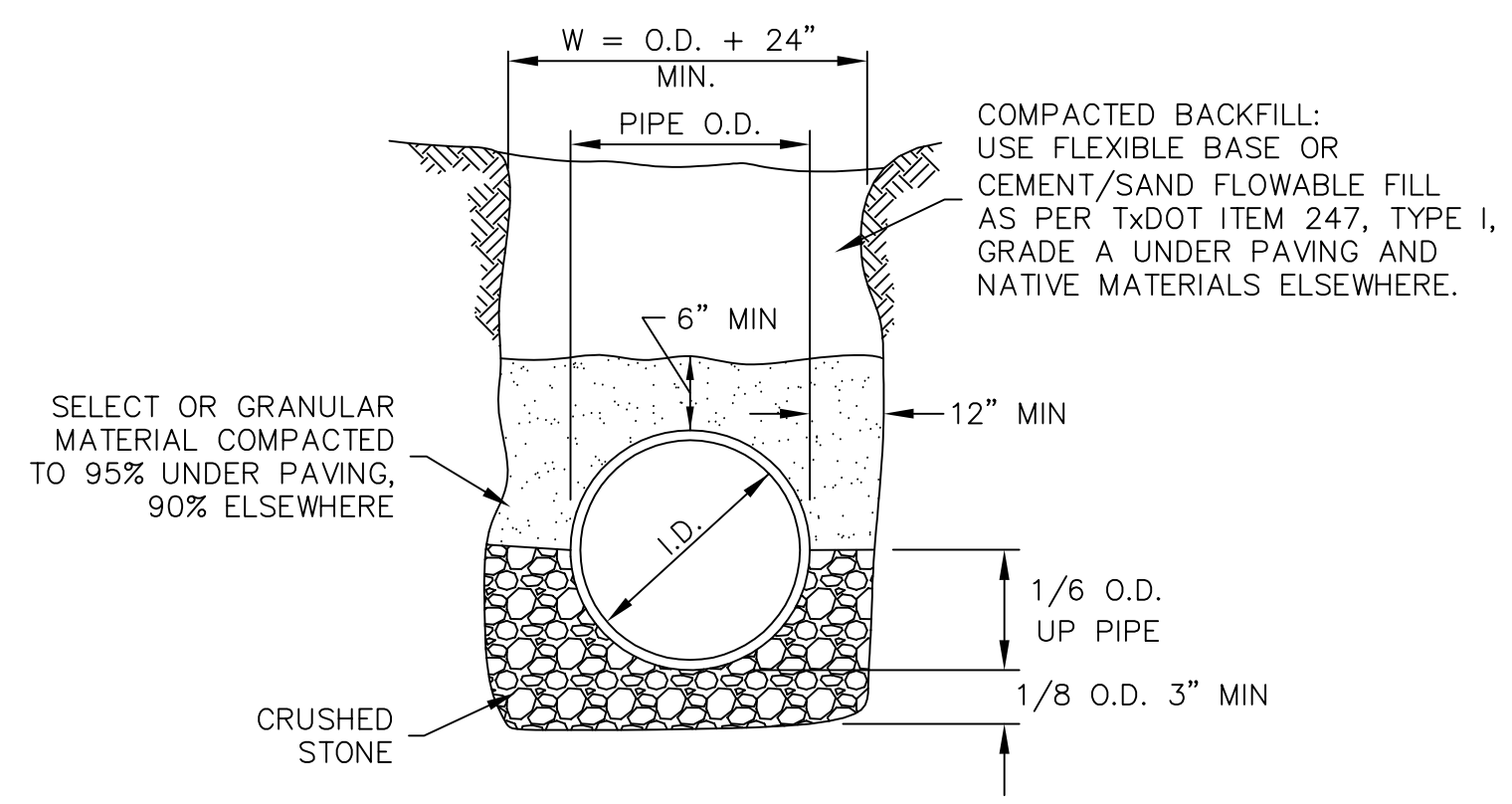
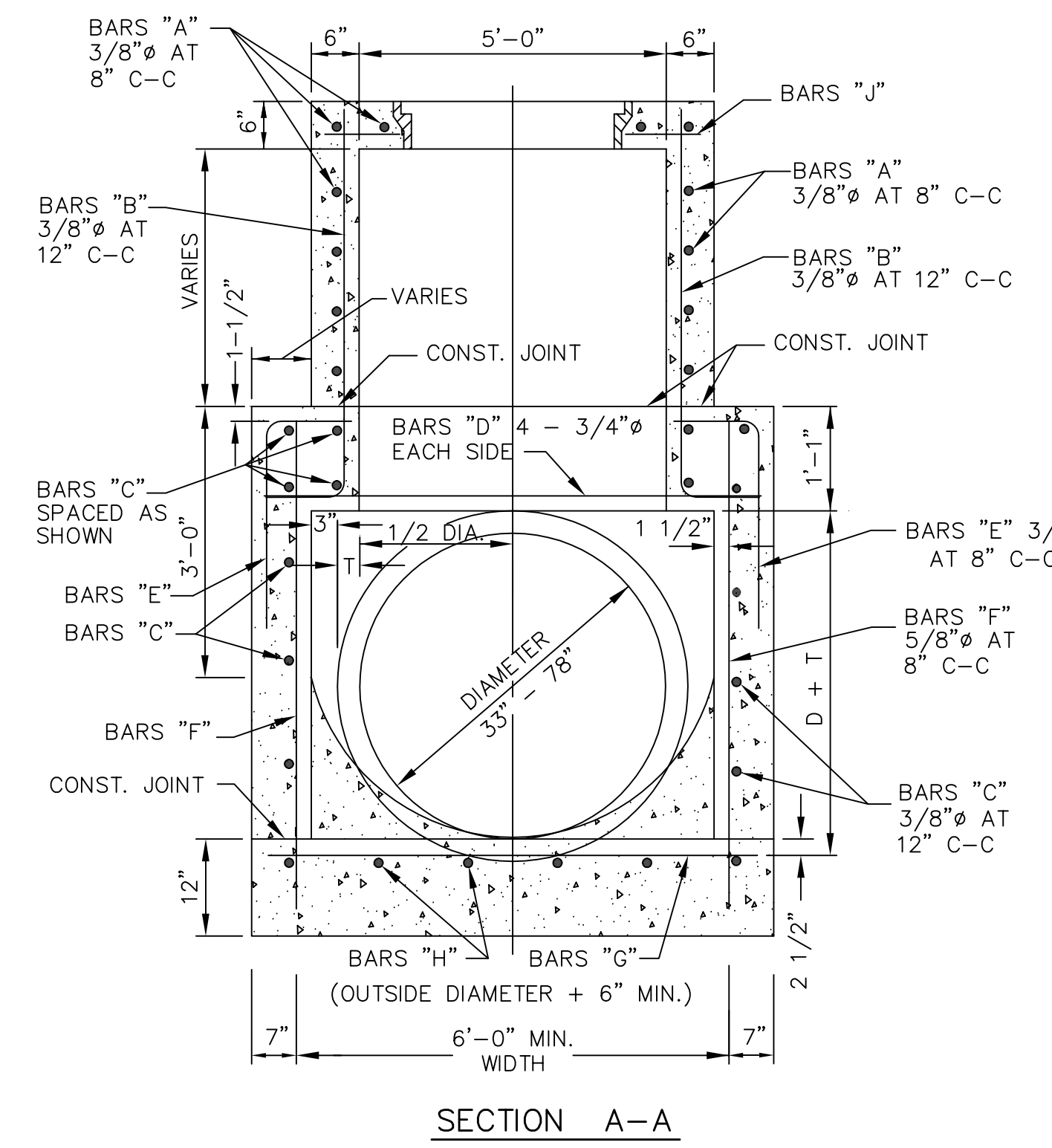
TOP PLAN

TYPE A & TYPE B STORM DRAINAGE MANHOLE

- NOTE:
1. MAXIMUM PIPE SIZE TO BE USED 78". PIPE SIZE IN EXCESS OF 78" SHALL HAVE A JUNCTION STRUCTURE DESIGNED AND SUBMITTED TO THE CITY FOR REVIEW AND APPROVAL.
 2. MANHOLE RING AND COVER SHALL BE BASS & HAYS FOUNDRY, INC. MODEL NO. VRM30 WITH CITY LOGO. IF MANHOLE IS LOCATED WITHIN AN AREA SUBJECT TO CONCENTRATED STORM WATER FLOWS, THE MANHOLE SHALL HAVE A WATER-TIGHT RIM. ALL MANHOLE COVERS SHALL HAVE THE CITY NAME.

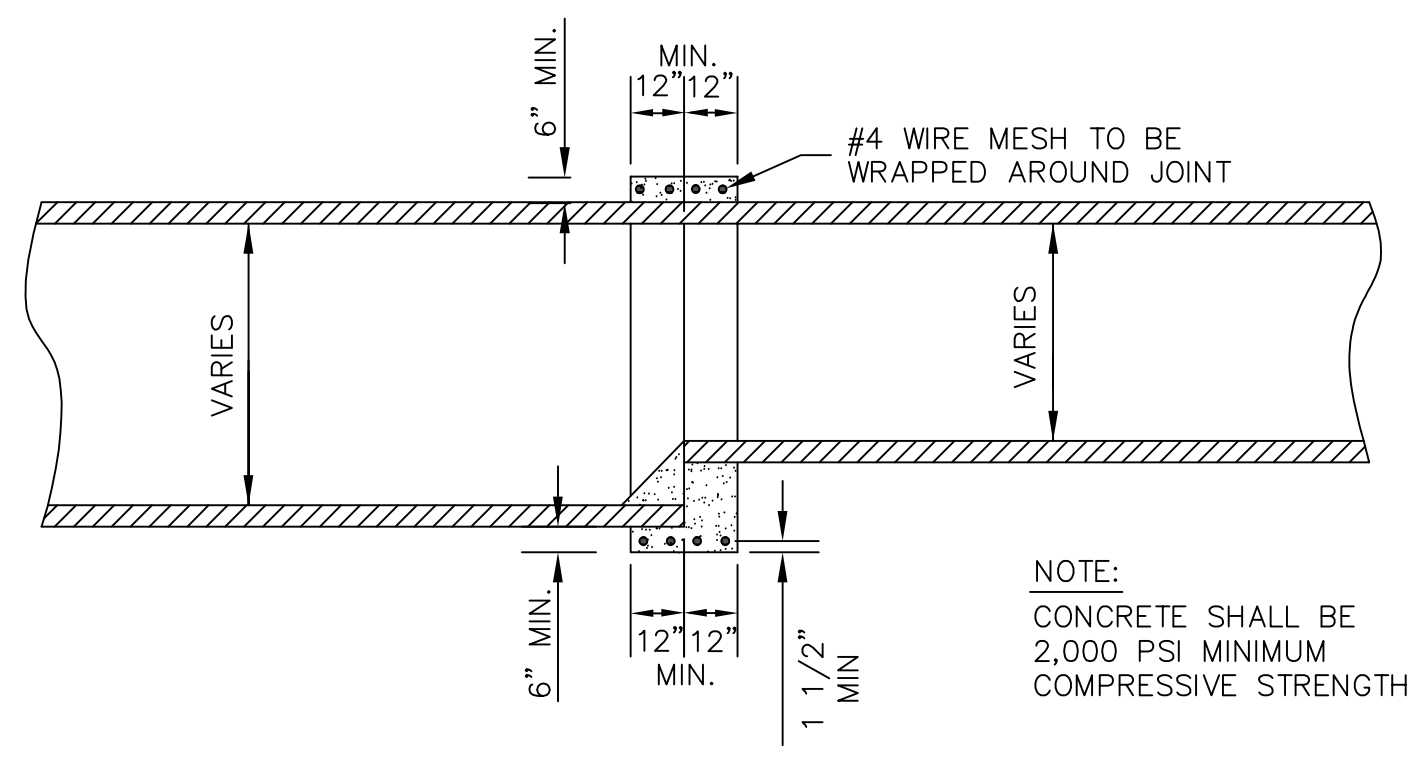


TYPE B STORM DRAINAGE MANHOLE
(FOR PIPE 33" TO 78" IN DIAMETER)



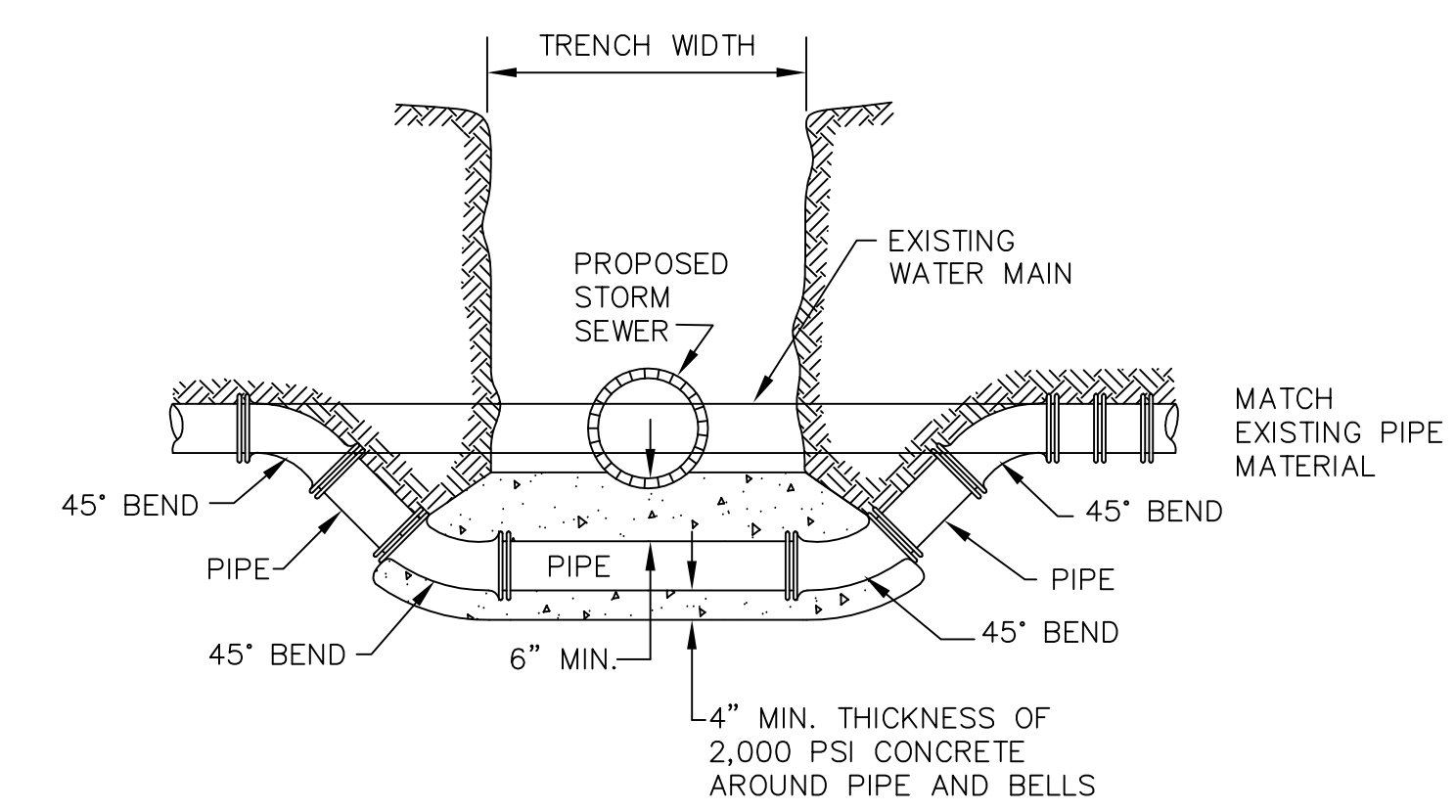
STORM DRAINAGE PIPE BEDDING DETAIL

NOTE: IF ROCK IS ENCOUNTERED IN TRENCH BOTTOM, OVER-EXCAVATE TRENCH A MINIMUM OF 8" AND BED PIPE IN GRAVEL OR CRUSHED STONE.



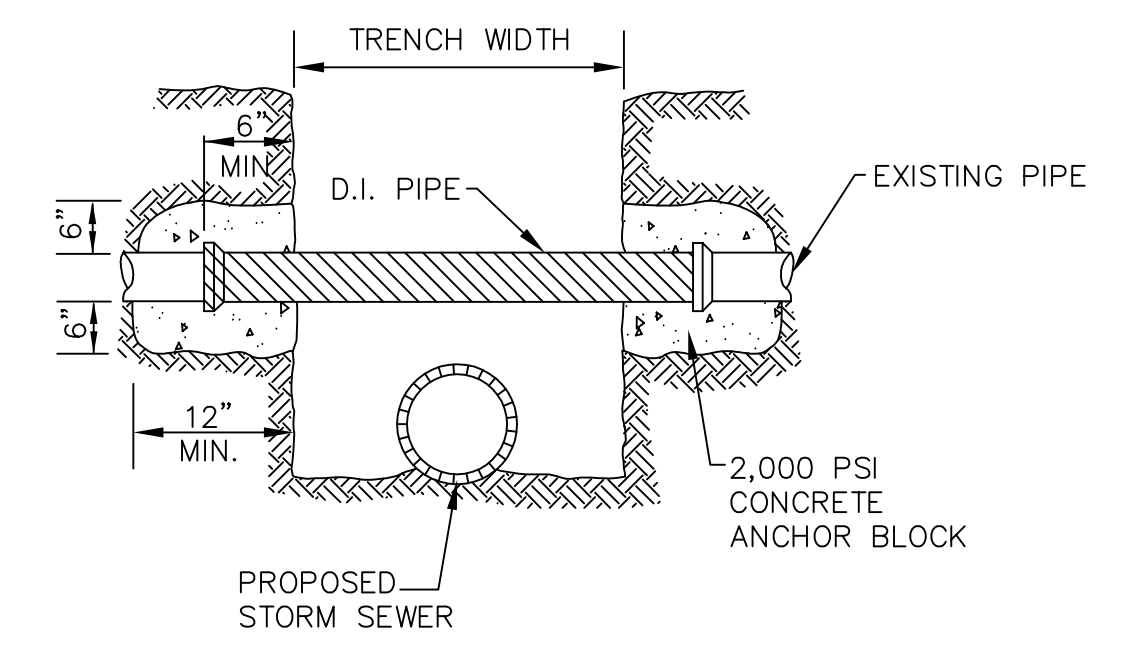
DETAIL OF CONCRETE COLLAR FOR PIPE CONNECTIONS

NOTE: CONCRETE SHALL BE 2,000 PSI MINIMUM COMPRESSIVE STRENGTH



DETAIL FOR WATER MAIN LOWERING

NOTE: RETAINER GLANDS SHALL BE INSTALLED ON ALL FITTINGS.



DETAIL OF UTILITY SUPPORT

NO.	REVISION	BY	DATE

CERTIFICATION: CITY OF DESOTO STANDARD CONSTRUCTION DETAIL SHEET IS AUTHORIZED FOR USE IN THIS PROJECT BY THE ENGINEER WHOSE SEAL APPEARS ON THIS SHEET. THIS ENGINEER IS ALSO CERTIFYING THAT THE DETAIL AND NOTES ON THIS SHEET HAVE NOT BEEN ALTERED FROM THAT RECEIVED FROM THE CITY OF DESOTO.

STANDARD CONSTRUCTION DETAILS

CITY OF DESOTO, TEXAS
DEVELOPMENT SERVICES
ENGINEERING DEPARTMENT

STORM DRAINAGE

ENGINEERING SEAL