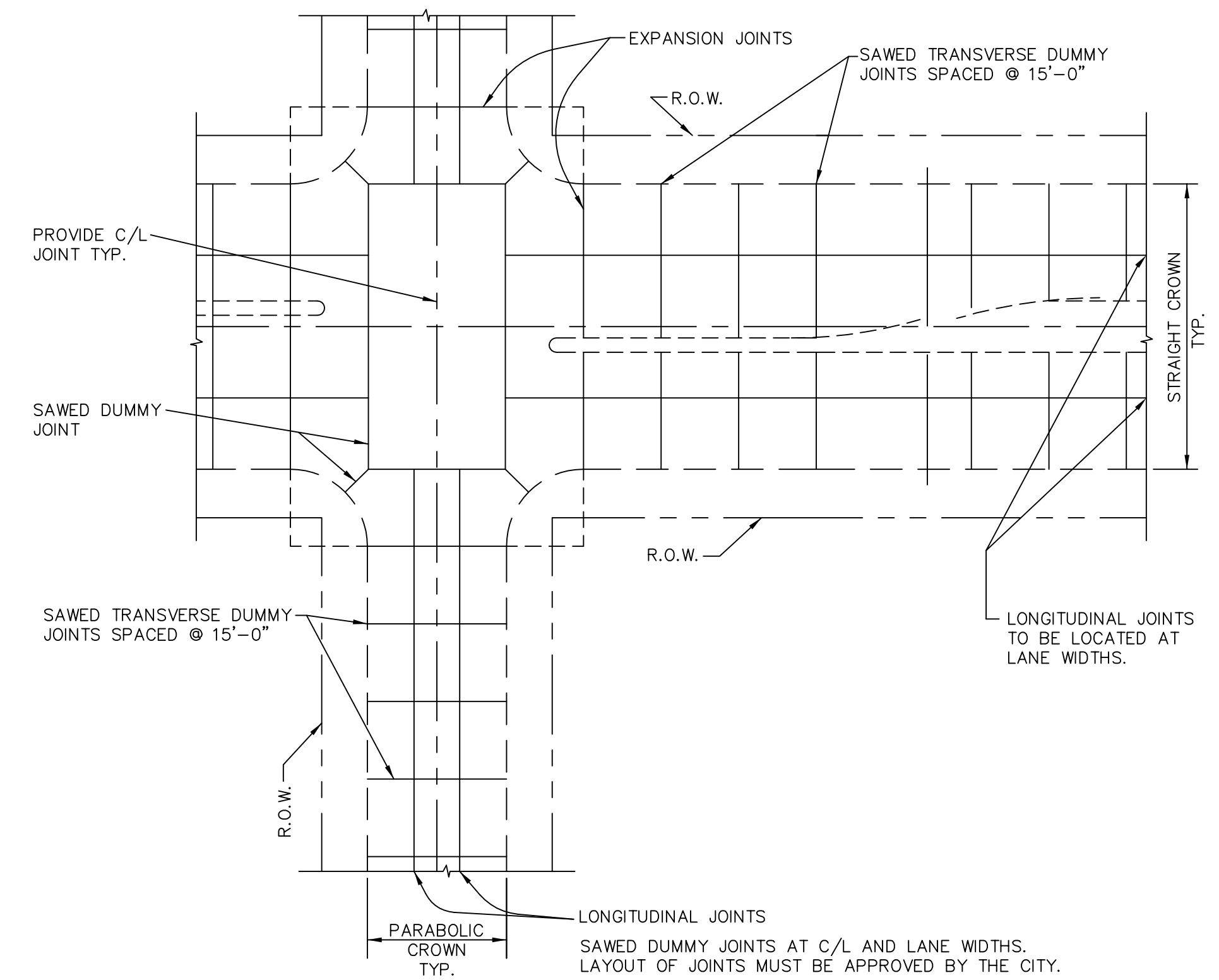
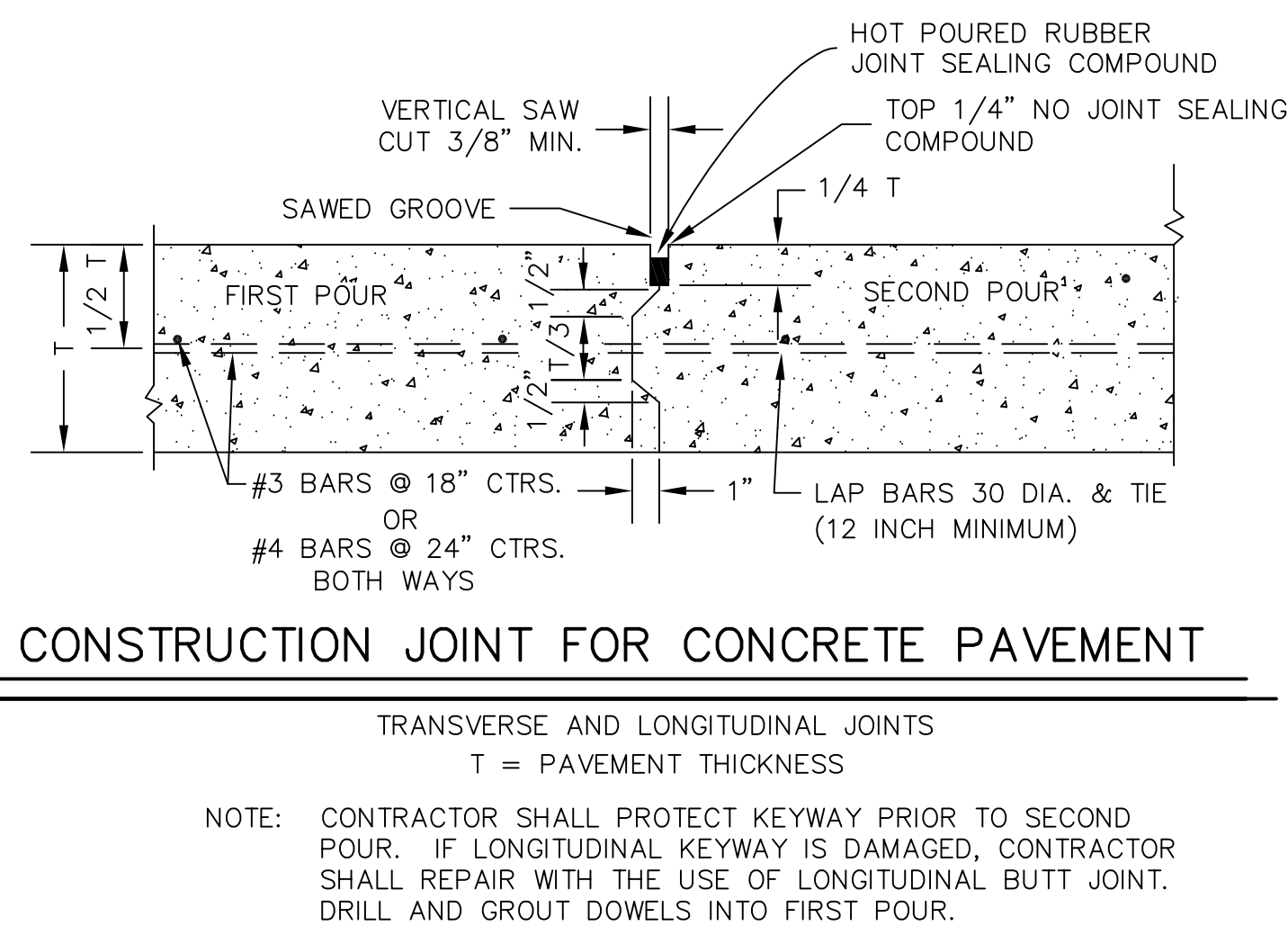
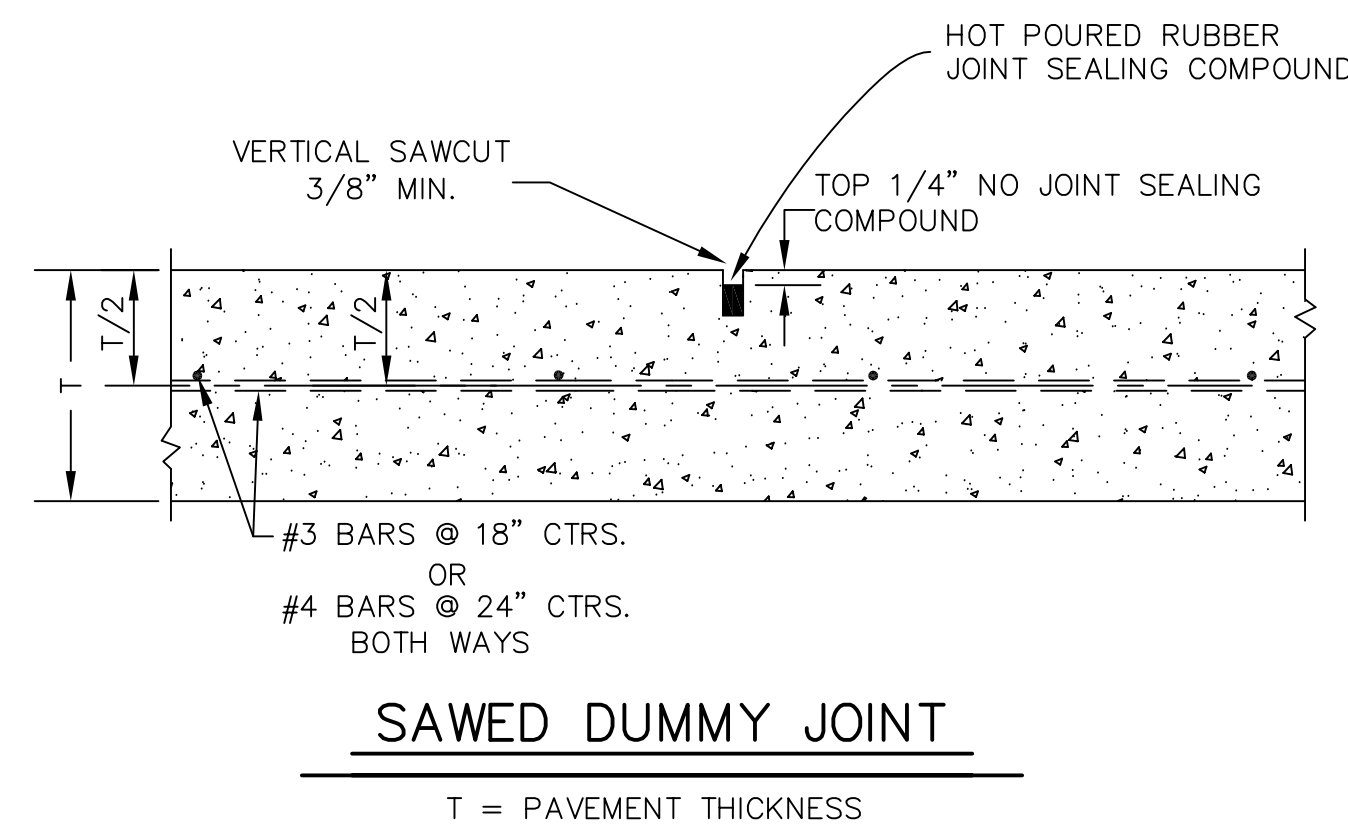
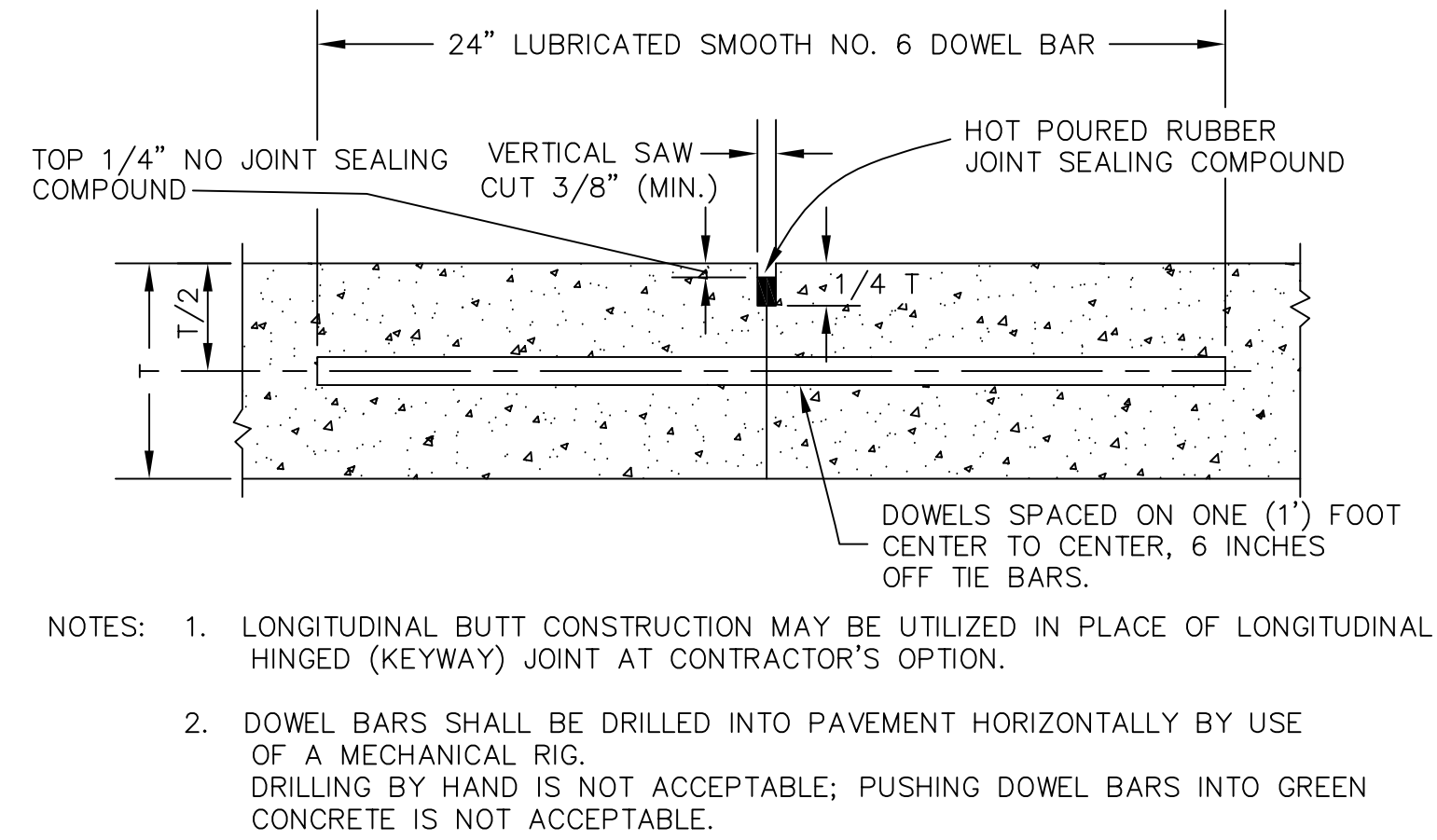
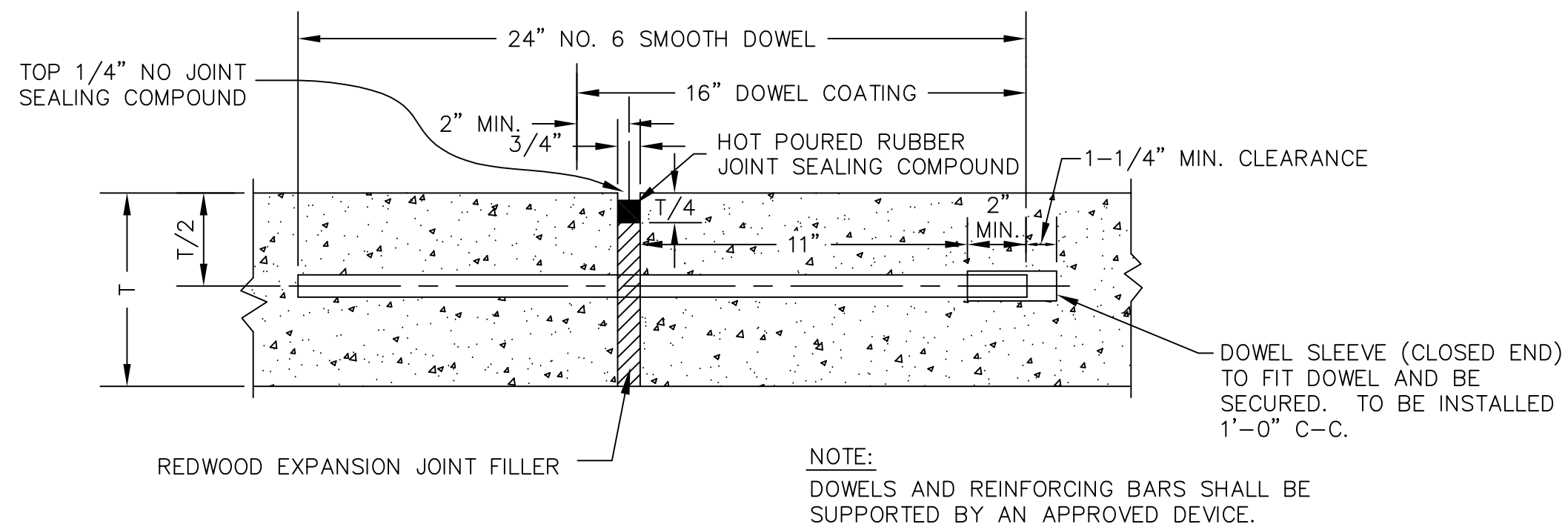
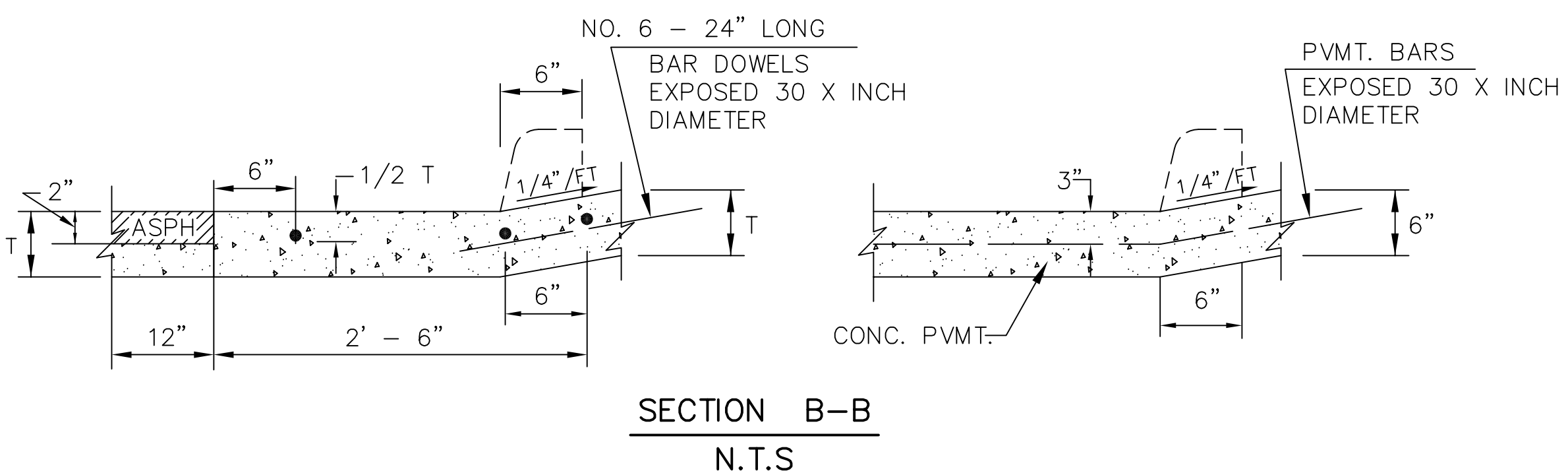
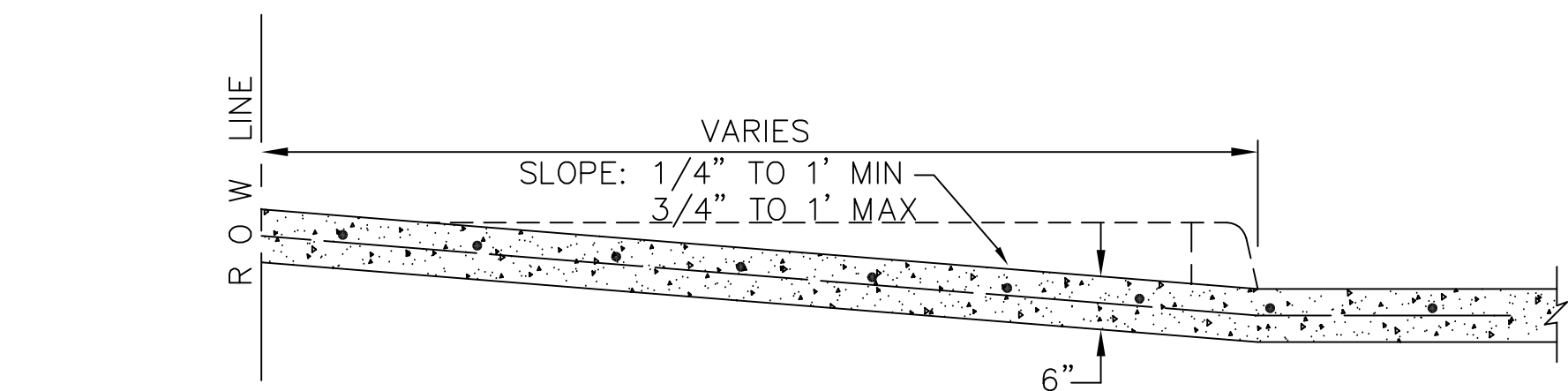
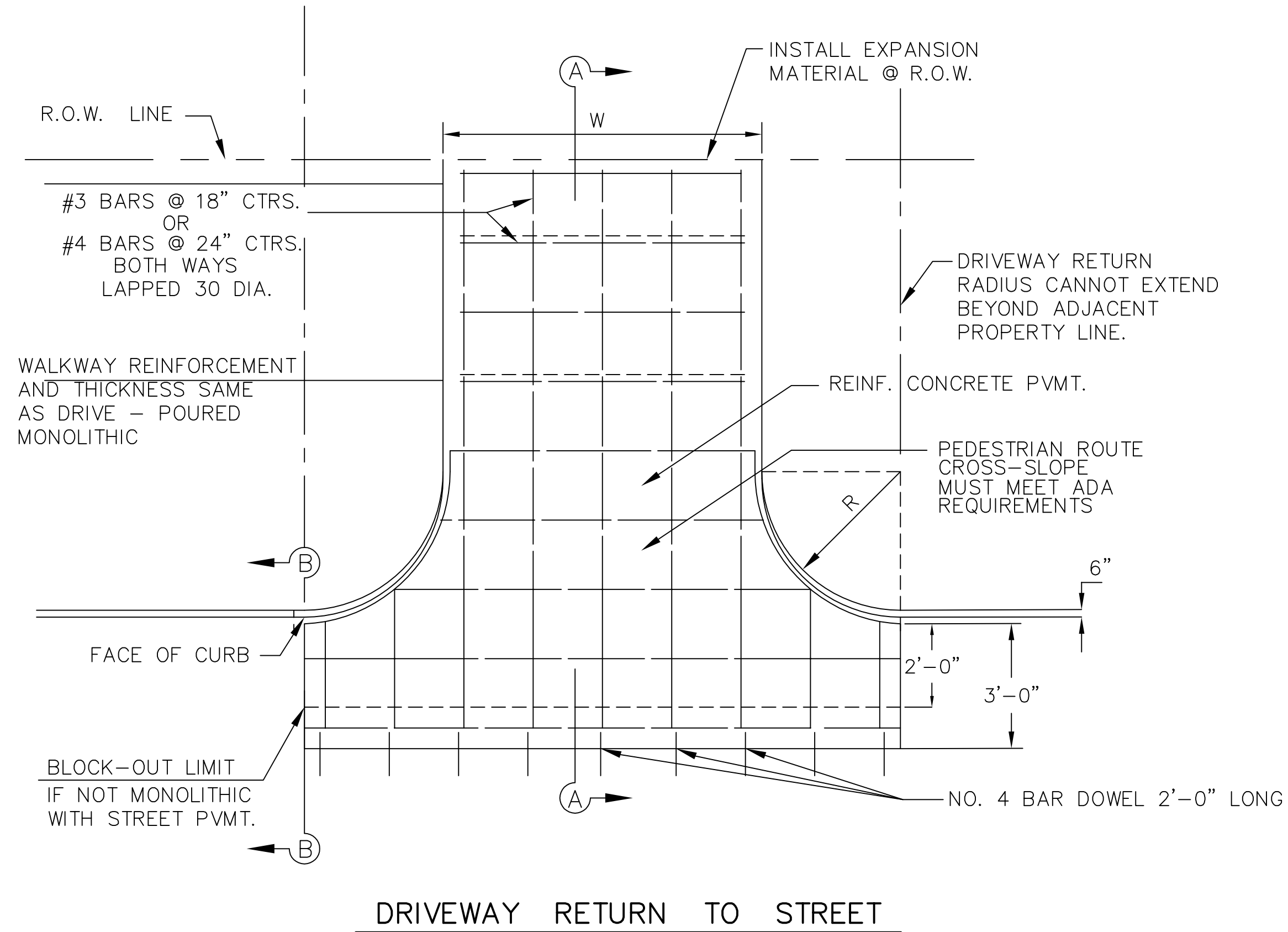


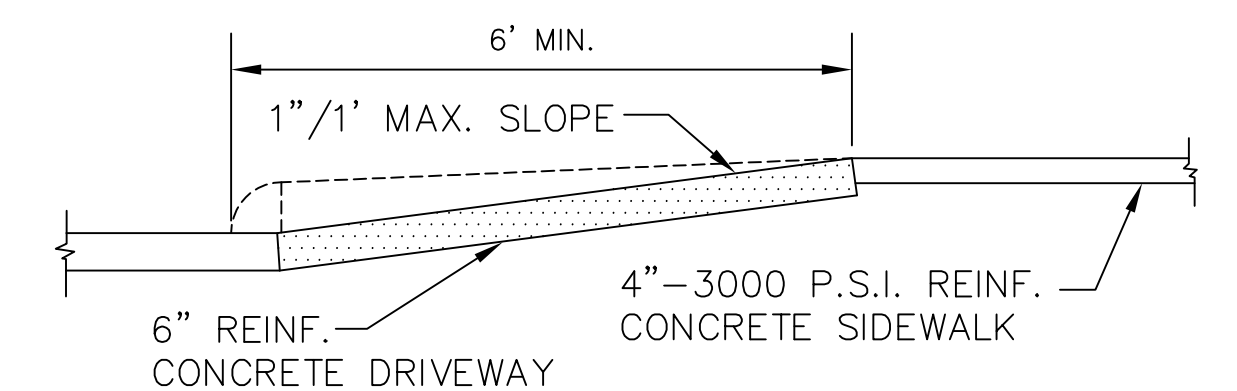
DRIVEWAY STANDARDS

USAGE	WIDTH		RADIUS	
	MIN.	MAX.	MIN.	MAX.
RESIDENTIAL	12'	24'	5'	15'
COMMERCIAL	15' ONE WAY OPERATION	15' TWO WAY OPERATION	10'	20'
	20' TWO WAY OPERATION	30' TWO WAY OPERATION	10'	20'
INDUSTRIAL	20'	40'	15'	25'



SPACING DIAGRAM FOR TRANSVERSE JOINTS

ALL SAWED JOINTS SHALL BE SAWED WITHIN 4-12 HOURS AFTER TIME OF POUR OR AS SOON AS EQUIPMENT CAN BE PLACED ON SOUND CONCRETE.



NO.	REVISION	BY	DATE

CERTIFICATION: CITY OF DESOTO STANDARD CONSTRUCTION DETAIL SHEET IS AUTHORIZED FOR USE IN THIS PROJECT BY THE ENGINEER WHOSE SEAL APPEARS ON THIS SHEET. THIS ENGINEER IS ALSO CERTIFYING THAT THE DETAIL AND NOTES ON THIS SHEET HAVE NOT BEEN ALTERED FROM THAT RECEIVED FROM THE CITY OF DESOTO.

STANDARD CONSTRUCTION DETAILS

CITY OF DESOTO, TEXAS
DEVELOPMENT SERVICES
ENGINEERING DEPARTMENT

PAVING

DATE: APRIL, 2016

SHEET: SD-3

ENGINEERING SEAL